

FEATURES

- All SS measuring system
- Socket-case, direct welded
- Dry / liquid filled

APPLICATION

- Food & Beverages
- Chemical & Petrochemical
- Corrosive environments
- Liquid & gaseous mediums

Bourdon Tube, ≤ DN100



STANDARD PARAMETERS

Accuracy	: CL 1.6 (DN63 / DN80 / DN100) & CL 2.5 (DN50)
Ambient temperature	: -40...+65°C (without dampening liquid)
	: -20...+65°C (with dampening liquid)
Service temperature	: 300°C max.
Pressure limits	: Steady pressure up to FS value
	: Fluctuating pressure up to 90% of FS value
	: Short time 1.3 x FS value for range up to 100 bar
	: Short time 1.15 x FS value for range above 100 bar
Weld joints	: TIG argon arc welding

MATERIAL OF CONSTRUCTION

Sensing element	: Bourdon Tube (≤ 100 bar : C - type , > 100 bar : Helical)
Case & Ring material	: AISI 304 SS (Bayonet type)
Bourdon tube & Shank	: AISI 316L SS (Shank welded directly to case)
Movement mechanism	: AISI 304 SS
Dial	: Aluminum, black graduation on white background
Pointer	: Fixed, aluminum, black powder coated
Gaskets, Blow off disc & filling plug	: Neoprene / NBR
Window	: Plexi glass

STANDARD SPECIFICATIONS

Dial size	: DN50 / DN63 / DN80 / DN100
Range	: -1...400 bar (DN50), -1...1,000 bar (DN 63 / DN80 / DN100)
Mounting pattern	: Direct, Bottom connection
Process connection	: 1/4" NPT (M) / 1/4" BSP (M)
Ingress protection	: IP 54 / IP 65
Execution	: Dry / Dry but fillable

STANDARD SPECIFICATIONS : DAMPENING LIQUID FILLED, GLYCERIN

Window	: Plexi glass
Dampening liquid	: Glycerin 99.7% [Service temperature up to 65°C]

TEMPERATURE EFFECT

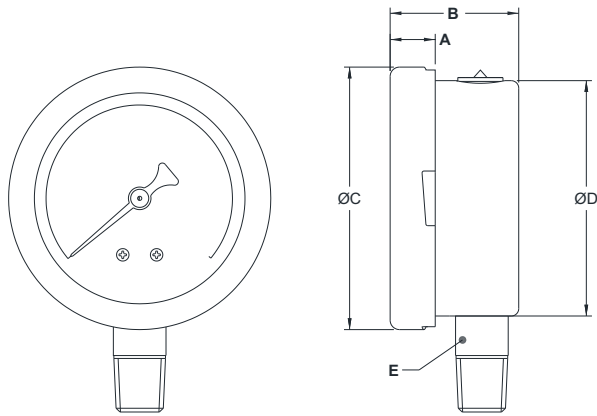
When temperature of the measuring system deviates from reference temperature (+20°C) max error ±0.4% / 10K of true scale value.

REFERENCE

EN 837-1

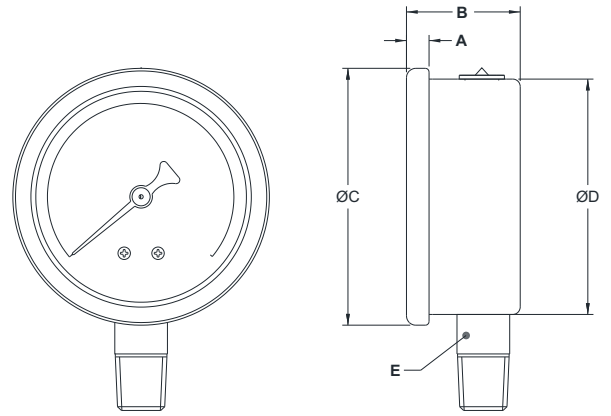
DIMENSIONAL DRAWING

Type B0 (Bayonet ring)



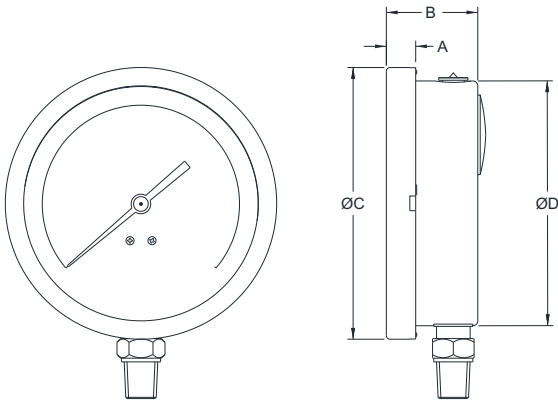
DN	A	B	ØC	ØD	E	Weight (grams)
50	9	34	58.5	52	SQ.14	120
63	12	33	69.7	62.5	SQ.14	209

Type B0 (Rolling ring)



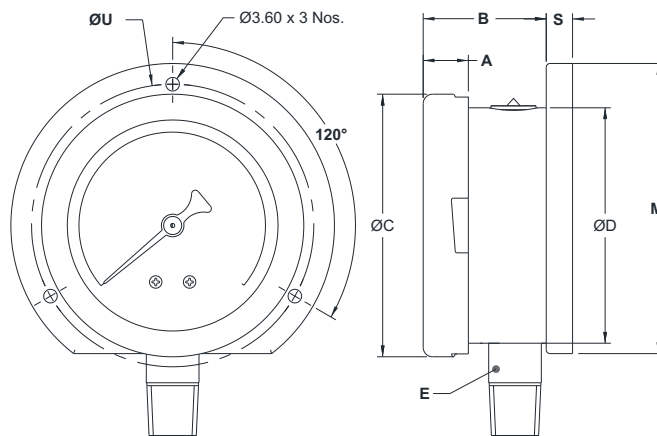
DN	A	B	ØC	ØD	E	Weight (grams)
50	5	32.5	57.5	51.5	SQ.14	110
63	5	31.5	68	62.5	SQ.14	189

Type B0 (Bayonet ring)



DN	A	B	ØC	ØD	E	Weight (grams)
80	9.5	33.5	89.5	80	A/F14	450
100	12	38	111	100	A/F14	500

Type B1 (Bayonet ring)

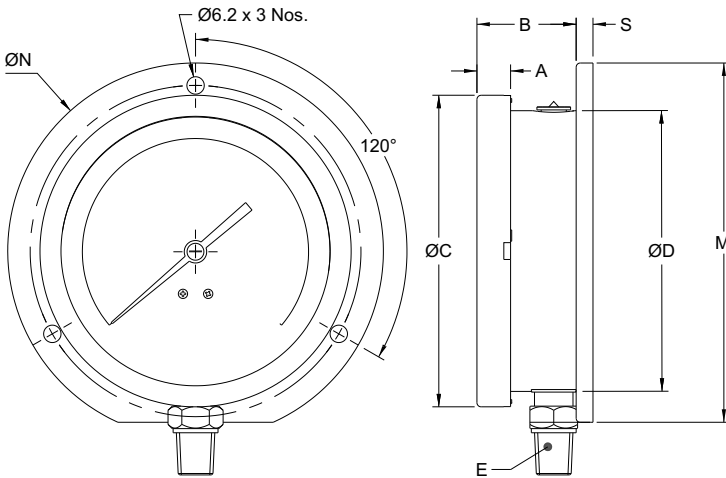


DN	A	B	ØC	ØD	E	ØN	ØU	M	S	Weight (grams)
63	12	33	69.7	62.5	SQ.14	86	75	77	7	254

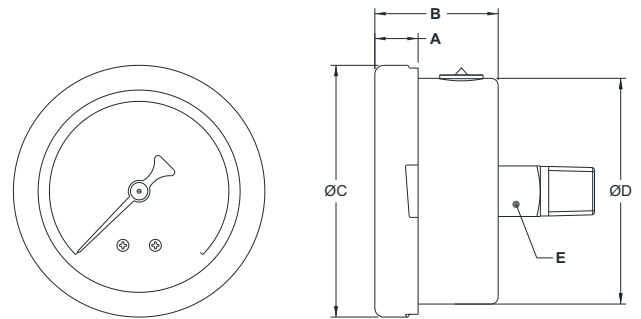
All dimensions are in mm.

DIMENSIONAL DRAWING

Type B1 (Bayonet ring)



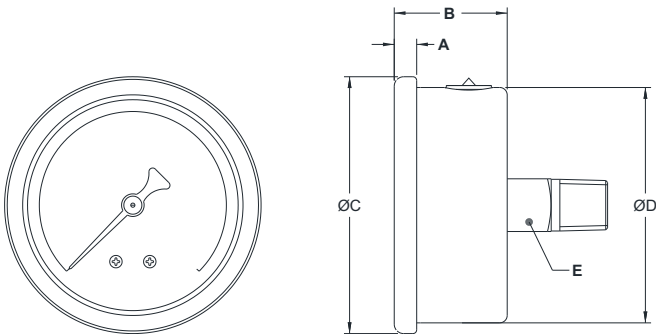
Type R0 (Bayonet ring)



DN	A	B	ØC	ØD	E	ØN	ØU	M	S	Weight (grams)
100	12	38	111	100	A/F14	134	118	128	6	607

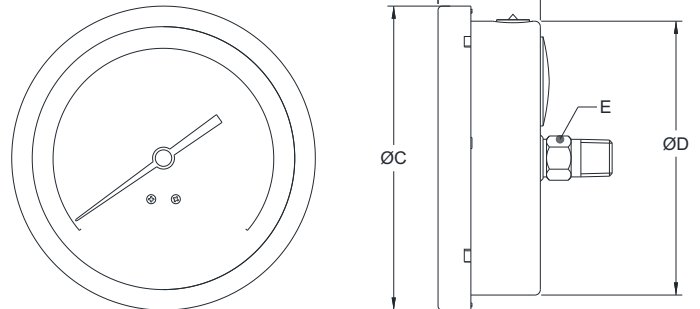
DN	A	B	ØC	ØD	E	Weight (grams)
50	9	34	58.5	52	SQ.14	120
63	12	33	69.7	62.5	SQ.14	209

Type R0 (Rolling ring)



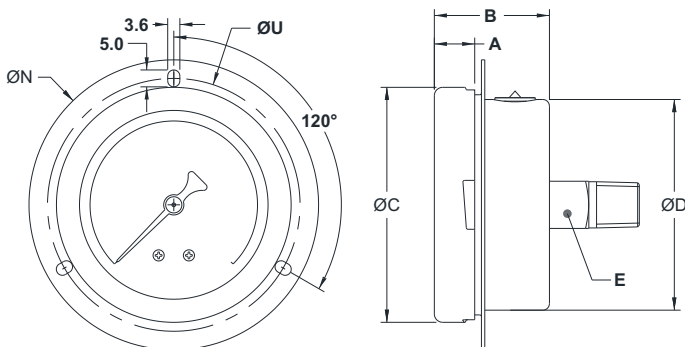
DN	A	B	ØC	ØD	E	Weight (grams)
50	5	32.5	57.5	51.5	SQ.14	110
63	5	31.5	68	62.5	SQ.14	189

Type R0 (Bayonet ring)



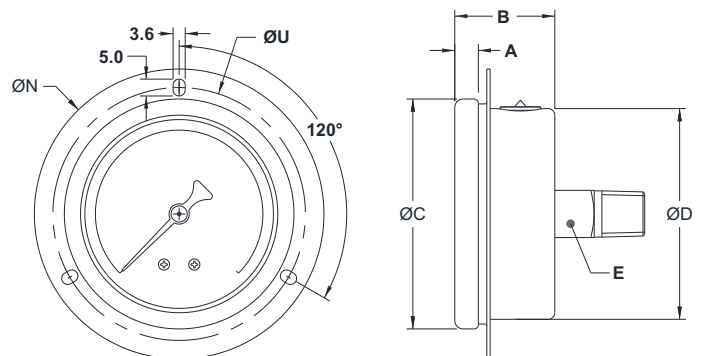
DN	A	B	ØC	ØD	E	Weight (grams)
80	9.5	33.5	89.5	80	A/F14	450
100	12	38	111	100	A/F14	500

Type R2 (Bayonet ring)



DN	A	B	ØC	ØD	E	ØN	ØU	Weight (grams)
63	12	33	69.7	62.5	SQ.14	86	75	240

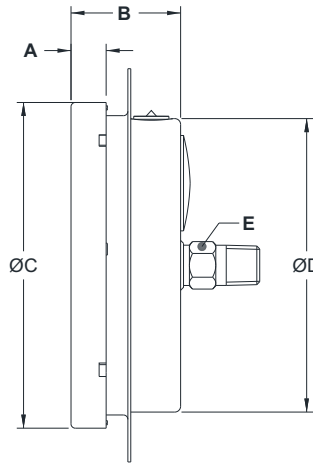
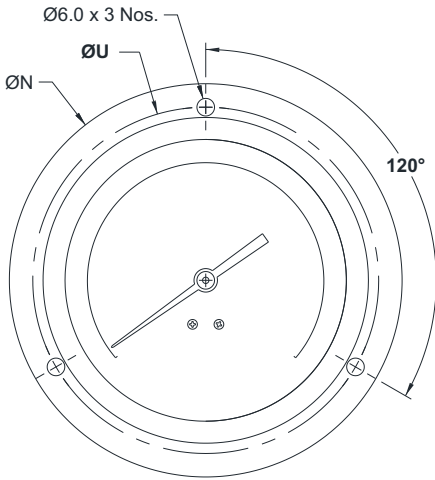
Type R2 (Rolling ring)



DN	A	B	ØC	ØD	E	ØN	ØU	Weight (grams)
63	5	31.5	68	62.5	SQ.14	86	75	189

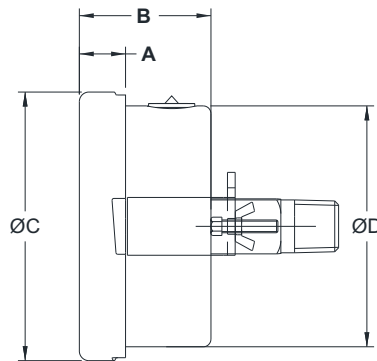
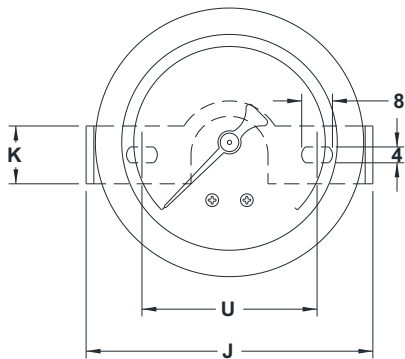
DIMENSIONAL DRAWING

Type R2 (Bayonet ring)



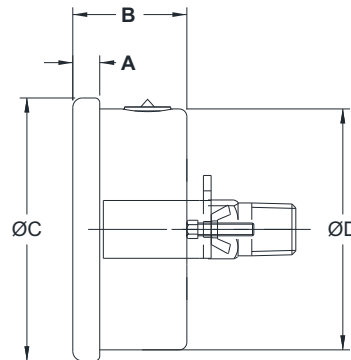
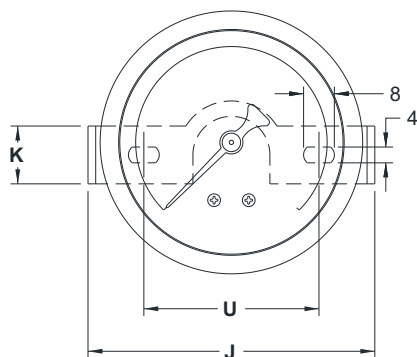
DN	A	B	ØC	ØD	E	ØN	ØU	Weight (grams)
100	12	38	111	100	A/F 14	134	118	574

Type R3 (Bayonet ring)



DN	A	B	ØC	ØD	E	U	J	K	Weight (grams)
50	9	34	58.5	51	SQ. 14	70.5	91	38	163
63	12	33	69.7	62.5	SQ.14	70.5	91	38	254

Type R3 (Rolling ring)

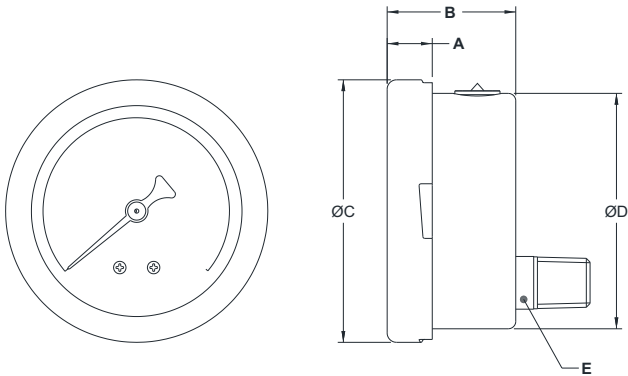


DN	A	B	ØC	ØD	E	U	J	K	Weight (grams)
50	9	34	58.5	51	SQ. 14	70.5	91	38	163
63	12	33	69.7	62.5	SQ.14	70.5	91	38	254

All dimensions are in mm.

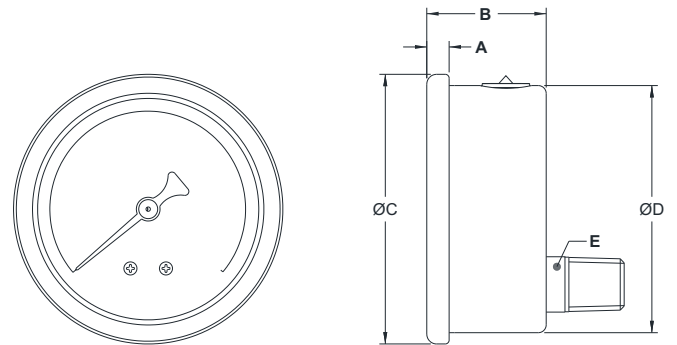
DIMENSIONAL DRAWING

Type L0 (Bayonet ring)



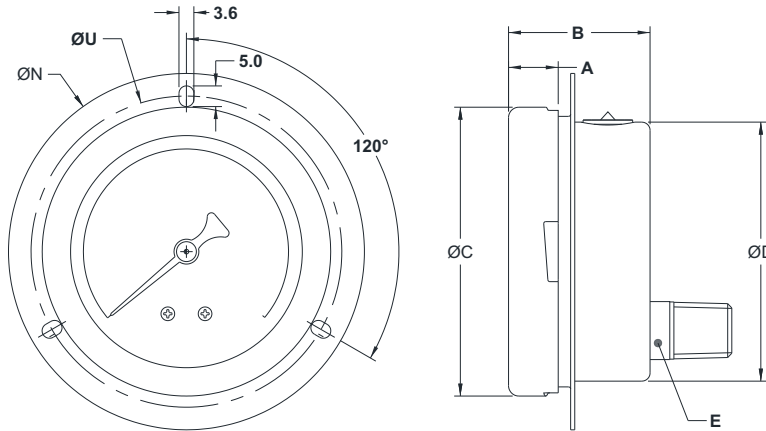
DN	A	B	ØC	ØD	E	Weight (grams)
63	12	33	69.7	62.5	SQ.14	209

Type L0 (Rolling ring)



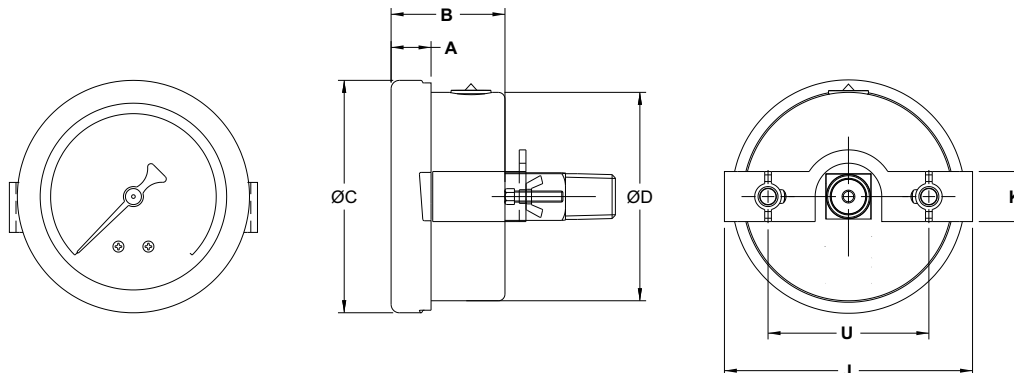
DN	A	B	ØC	ØD	E	Weight (grams)
63	5	31.5	68	62.5	SQ.14	189

Type L1 (Bayonet ring)



DN	A	B	ØC	ØD	E	ØN	ØU	Weight (grams)
63	12	33	69.7	62.5	SQ.14	86	75	240

Type L2 (Bayonet ring)



DN	A	B	ØC	ØD	E	U	J	K	Weight (grams)
50	9	34	58.5	51	SQ.14	45.5	74.5	15	163
63	12	33	69.7	62.5	SQ.14	45.5	74.5	15	254

All dimensions are in mm.

NOTES

1. DN80, DN100 mounted through adaptors to the case.

ORDERING CODES

1. DIAL SIZE		25	6. EXECUTION		EB
02	50 mm / 2"		EA	Dry ²	
25	63 mm / 2½"		EB	Dry but fillable	
03	80 mm / 3"		EG	Dampening liquid filled, glycerine	
04	100 mm / 4"		EH	Dampening liquid filled, silicon oil	
2. RANGE		XXX	7. OTHER OPTIONS		XX
XXX	Refer "Range Table"		BA	Case & Ring in AISI 316 SS (B0)	
3. MOUNTING PATTERN		B0	BB	Case & Ring in AISI 316 SS (B1)	
B0	Direct, Bottom connection		BG	Case & Ring in AISI 316 SS (R0)	
B1	Wall/Surface/Projection mounting, Bottom connection		BI	Case & Ring in AISI 316 SS (R2)	
R0	Centre, Back connection		BJ	Case & Ring in AISI 316 SS (R3)	
R2	Panel/Front flange mounting, Centre Back connection		BK	Case & Ring in AISI 316 SS (L0)	
R3	Panel/bracket mounting, Centre Back connection		BL	Case & Ring in AISI 316 SS (L1)	
L0	Lower, Back connection		BM	Case & Ring in AISI 316 SS (L2)	
L1	Panel/Front flange mounting, Lower Back connection		EN	Dampening screw, AISI 316 SS	
L2	Panel/bracket mounting, Lower Back connection		GC	Shatterproof safety glass	
4. PROCESS CONNECTION			12N	GD	Toughened glass
11N	1/8" NPT (M)	GW		Maximum Reading pointer (MRP)	
12N	¼" NPT (M)	G9		Freon scale	
14N	½" NPT (M)	N9		Dial with Ammonia temperature scale	
11B	1/8" BSP (M)	RA		Rubber parts, Viton	
12B	¼" BSP (M)	RW		Vent plug, ON-OFF type	
13B	3/8" BSP (M)	TA		5 - point calibration certificate	
14B	½" BSP (M)	TL		Helium leak testing	
14M	M20x1.5 mm (M)	TM	Material test certificate 2.2		
5. INGRESS PROTECTION		ER	TO	Certification for Oxygen service	
ER	IP 65		TP	Performance test	
ES	IP 66		XF	SS tag plate, AISI 304 SS	
ET	IP 67		XG	SS tag plate, AISI 316 SS	
			XO	Rolling type case & ring	
			XR	Custom designed dial	
			XT	Dial tag marking	
			E7	Two-piece construction	

Ordering Example : P103-25-XXX-B0-12N-ER-EB

NOTES

1. For other connections, please contact factory.
2. Available with Ingress Protection IP 54 (Dust Proof) only.