

## FEATURES

- All SS measuring system
- Polypropylene case & ring
- Dry / liquid filled

## APPLICATION

- Liquid & gaseous mediums
- Corrosive environments
- Oil & Gas applications
- Chemical & Petrochemical
- Food & Beverages
- Nuclear power plants

### Bourdon Tube, DN100 & DN150



#### STANDARD PARAMETERS

Accuracy	: CL 1.0
Ambient temperature	: -40...+65°C (without dampening liquid)
	: -20...+65°C (with dampening liquid)
Service temperature	: 120°C max.
Pressure limits	: Steady pressure up to FS value
	: Fluctuating pressure up to 90% of FS value
	: Short time 1.3 x FS value for range up to 100 bar
	: Short time 1.15 x FS value for range above 100 bar
Weld joints	: TIG argon arc welding (Bourdon tube + Shank)

#### MATERIAL OF CONSTRUCTION

Sensing element	: Bourdon Tube (<100 bar : C - type , >100 bar : Helical)
Case & Ring material	: Polypropylene (PP), Threaded type
Bourdon tube & Shank	: AISI 316L SS (Shank screwed with case)
Movement mechanism	: AISI 304 SS
Dial	: Aluminum, black graduation on white background
Pointer	: Micro-zero adjustable, aluminum, black powder coated
Gaskets, Blow off disc & filling plug	: Neoprene
Window	: Sheet glass / Shatterproof safety glass

#### STANDARD SPECIFICATIONS

Dial size	: DN100 / DN150
Range	: -1...0...2,000 bar
Mounting pattern	: Direct, Bottom connection
Process connection	: 1/2" NPT (M)
Ingress protection	: IP 54 / IP 65
Execution	: Dry / Dry but fillable, glycerin

#### STANDARD SPECIFICATIONS : DAMPENING LIQUID FILLED, GLYCERIN

Window	: Safety glass
Dampening liquid	: Glycerin 99.7% [Service temperature up to 65°C]

#### TEMPERATURE EFFECT

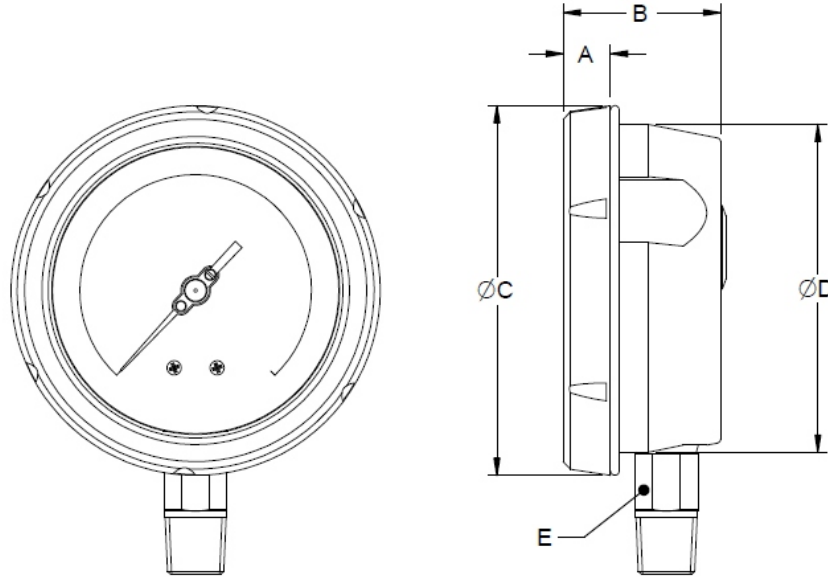
When temperature of the measuring system deviates from reference temperature (+20°C) max error  $\pm 0.4\%$  / 10K of true scale value.

## REFERENCE

EN 837-1

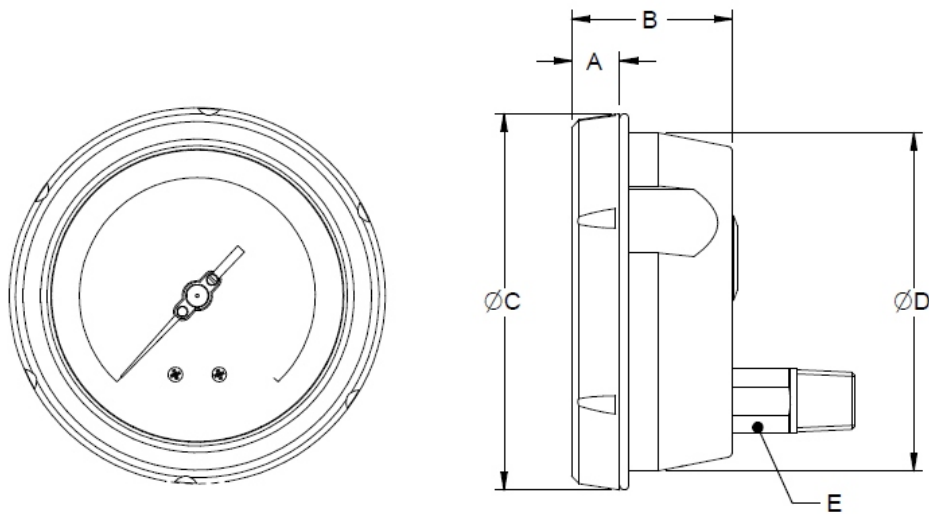
DIMENSIONAL DRAWING

Type B0



DN	A	B	ØC	ØD	E	Weight (grams)
100	16.5	56	129.0	116.0	SQ.22	506
150	16.0	55	179.5	167.5	SQ.22	900

Type R0



DN	A	B	ØC	ØD	E	Weight (grams)
100	16.5	56	129.0	116.0	SQ.22	506
150	16.0	55	179.5	167.5	SQ.22	900

**ORDERING CODES**

<b>1. DIAL SIZE</b>		<b>04</b>	<b>7. OTHER OPTIONS</b>		<b>XX</b>
<b>04</b>	100 mm / 4"		<b>EM</b>	Dampening screw, Monel	
<b>06</b>	150 mm / 6"	<b>XXX</b>	<b>EN</b>	Dampening screw, AISI 316 SS	
<b>2. RANGE</b>			<b>EX</b>	Internal overload stop	
<b>XXX</b>	Refer "Range Table"	<b>B0</b>	<b>EY</b>	Internal vacuum stop	
<b>3. MOUNTING PATTERN</b>			<b>EZ</b>	Pointer stop on dial	
<b>B0</b>	Direct, Bottom connection	<b>14N</b>	<b>G9</b>	Dial with Freon temperature scales	
<b>L0</b>	Lower, Back connection		<b>GC</b>	Shatterproof safety glass	
<b>4. PROCESS CONNECTION</b>		<b>ER</b>	<b>GD</b>	Toughened glass	
<b>12B</b>	1/4" BSP (M)		<b>GL</b>	AISI 316 SS movement	
<b>12N</b>	1/4" NPT (M)	<b>EB</b>	<b>GM</b>	Dampened movement	
<b>13B</b>	3/8" BSP (M)		<b>GX</b>	Knife edge pointer	
<b>14B</b>	1/2" BSP (M)	<b>14N</b>	<b>MN</b>	Monel wetted parts	
<b>14M</b>	M20 X 1.5 mm (M)		<b>N9</b>	Dial with Ammonia temperature scale	
<b>14N</b>	1/2" NPT (M)	<b>ER</b>	<b>OP</b>	Overrange protection 1.5xFS	
<b>5. INGRESS PROTECTION</b>			<b>R9</b>	Receiver gauge <sup>2</sup>	
<b>ER</b>	IP 65	<b>EB</b>	<b>TA</b>	5 - point calibration certificate	
<b>ES</b>	IP 66		<b>TC</b>	Material test certificate 3.1	
<b>ET</b>	IP 67	<b>EB</b>	<b>TL</b>	Helium leak testing	
<b>6. EXECUTION</b>			<b>TM</b>	Material test certificate 2.2	
<b>EA</b>	Dry <sup>3</sup>	<b>EB</b>	<b>TN</b>	Tested to NACE standards	
<b>EB</b>	Dry but fillable, glycerine		<b>TO</b>	Certification for Oxygen service	
<b>EG</b>	Dampening liquid filled, glycerine	<b>EB</b>	<b>TP</b>	Performance test	
			<b>TT</b>	C.C. with NABL traceability	
		<b>EB</b>	<b>XA</b>	Accuracy CL 0.5 / CL 0.6 of FS	
			<b>XF</b>	SS tag plate, AISI 304 SS	
		<b>EB</b>	<b>XG</b>	SS tag plate, AISI 316 SS	
			<b>XR</b>	Custom designed dial	
		<b>EB</b>	<b>XT</b>	Dial tag marking	

Ordering Example : P105-04-XXX-B0-14N-ER-EB-XX

**NOTES**

1. For other connections, please contact factory.
2. Please specify the second scale required.
3. Available with Ingress Protection IP 54 (dust proof) only.
4. C.C = Calibration Certificate