

## FEATURES

- Safety pattern type
- All stainless steel system
- Dry / liquid filled
- CE marking

## APPLICATION

- Oil & Gas applications
- High pressure applications
- Corrosive & Hazardous environments

### Solid Front With Full Blow-out Back



### STANDARD PARAMETERS

Accuracy	: CL 1.0
Ambient temperature	: -40...+65°C (without dampening liquid)
	: -20...+65°C (with dampening liquid)
Service temperature	: 300°C max.
Pressure limits	: Steady pressure up to FS value
	: Fluctuating pressure up to 90% of FS value
	: Short time 1.3 x FS value for range up to 100 bar
	: Short time 1.15 x FS value for range above 100 bar
Weld joints	: TIG argon arc welding

### MATERIAL OF CONSTRUCTION

Sensing element	: Bourdon Tube (<100 bar : C - type , >100 bar : Helical)
Case & Ring material	: AISI 304 SS (Bayonet type)
Bourdon tube & Shank	: AISI 316L SS (Shank welded directly to case)
Movement mechanism	: AISI 304 SS
Dial	: Aluminum, black graduation on white background
Pointer	: Micro-zero adjustable, aluminum, black powder coated
Gaskets & filling plug	: Neoprene / NBR
Window	: Shatterproof safety glass
Blow off disc	: AISI 304 SS
Diaphragm	: NBR

### STANDARD SPECIFICATIONS

Dial size	: DN100 / DN150
Range	: -1...0...1,600 bar
Mounting pattern	: Direct, Bottom connection
Process connection	: 1/2" NPT (M) / 1/2" BSP (M)
Ingress protection	: IP 65
Execution	: Dry but fillable

### STANDARD SPECIFICATIONS : DAMPENING LIQUID FILLED, GLYCERIN

Window	: Shatterproof safety glass
Dampening liquid	: Glycerin 99.7% [Service temperature up to 65°C]

### TEMPERATURE EFFECT

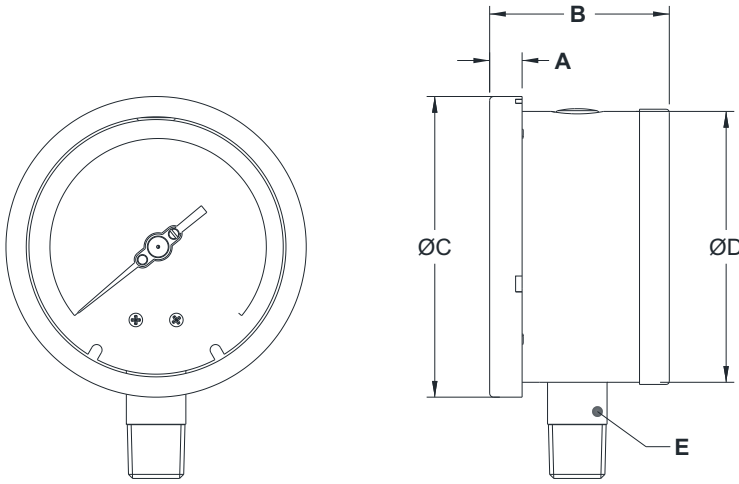
When temperature of the measuring system deviates from reference temperature (+20°C) max error  $\pm 0.4\%$  / 10K of true scale value.

## REFERENCE

EN 837-1, PED 97/23/EC

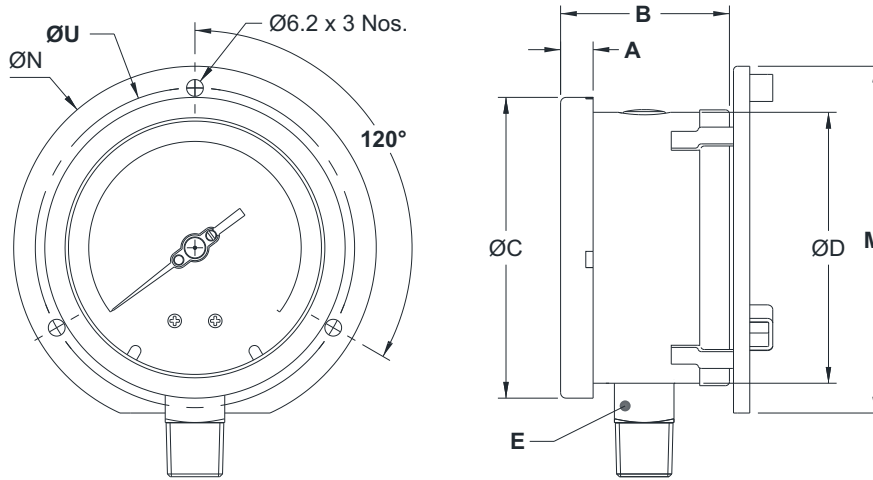
DIMENSIONAL DRAWING

Type B0



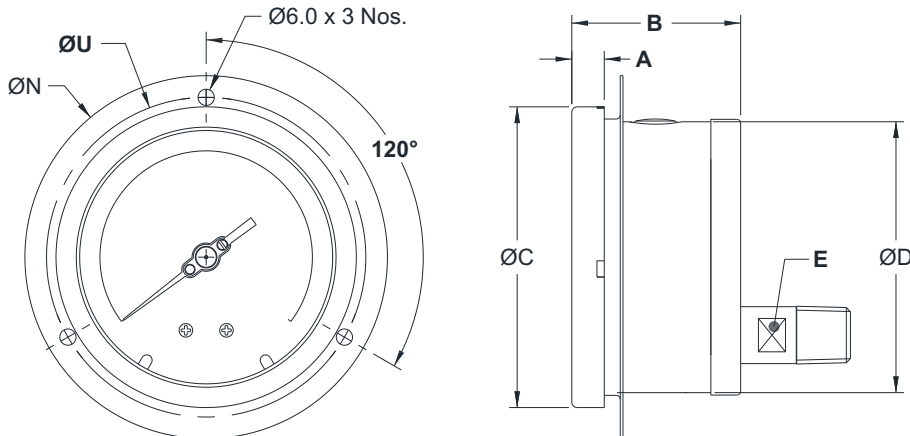
DN	A	B	ØC	ØD	E	Weight (grams)
100	12	66.5	111	100	SQ.22	830
150	17	68.5	161	149	SQ.22	1638

Type B1



DN	A	B	ØC	ØD	E	M	ØN	ØU	Weight (grams)
100	12	66.5	111	100	SQ.22	128	134	118	909
150	17	68.5	161	149	SQ.22	172	186	168	1746

Type L1



DN	A	B	ØC	ØD	E	ØN	ØU	Weight (grams)
100	12	66.5	111	100	A/F-17	134	118	906
150	17	68.5	161	149	A/F-17	186	168	1754

All dimensions are in mm.

### ORDERING CODES

#### 1. DIAL SIZE

<b>04</b>	100 mm / 4"
<b>06</b>	150 mm / 6"

#### 2. RANGE

<b>XXX</b>	Refer "Range Table"
------------	---------------------

#### 3. MOUNTING PATTERN

<b>B0</b>	Direct, Bottom connection
<b>B1</b>	Wall/Surface/Projection mounting, Bottom connection
<b>B2</b>	2" Pipe/Yoke mounting, Bottom connection
<b>L1</b>	Panel/Front flange mounting, Lower Back connection <sup>4</sup>

#### 4. PROCESS CONNECTION

<b>12B</b>	1/4" BSP (M)
<b>12N</b>	1/4" NPT (M)
<b>13B</b>	3/8" BSP (M)
<b>14B</b>	1/2" BSP (M)
<b>14M</b>	M20 X 1.5 mm (M)
<b>14N</b>	1/2" NPT (M)

#### 5. INGRESS PROTECTION

<b>ER</b>	IP 65
<b>ES</b>	IP 66
<b>ET</b>	IP 67

#### 6. EXECUTION

<b>EA</b>	Dry
<b>EB</b>	Dry but fillable
<b>EG</b>	Dampening liquid filled, glycerine
<b>EH</b>	Dampening liquid filled, silicon oil

#### 7. OTHER OPTIONS

<b>BA</b>	Case & Ring in AISI 316 SS (B0)
<b>BB</b>	Case & Ring in AISI 316 SS (B1)
<b>BL</b>	Case & Ring in AISI 316 SS (L1)
<b>BC</b>	Case & Ring in AISI 316 SS (B2)
<b>EM</b>	Dampening screw, Monel
<b>EN</b>	Dampening screw, AISI 316 SS
<b>EX</b>	Internal overload stop
<b>EY</b>	Internal vacuum stop
<b>EZ</b>	Pointer stop on dial
<b>GL</b>	AISI 316 SS movement
<b>GM</b>	Dampened movement
<b>GW</b>	Maximum Reading pointer <sup>2</sup>
<b>GX</b>	Knife edge pointer
<b>MN</b>	Monel wetted parts
<b>OP</b>	Overrange protection 1.5xFS
<b>OS</b>	High overpressure protection <sup>6</sup>
<b>P8</b>	Epoxy coating (Case & Ring)
<b>R9</b>	Receiver gauge <sup>3</sup>
<b>RN</b>	Rubber parts, NBR
<b>RW</b>	Vent plug, ON-OFF type
<b>TA</b>	5 - point calibration certificate
<b>TC</b>	Material test certificate 3.1
<b>TE</b>	CE certificate
<b>TI</b>	IBR certification
<b>TL</b>	Helium leak testing
<b>TM</b>	Material test certificate 2.2
<b>TN</b>	Tested to NACE standards
<b>TO</b>	Certification for Oxygen service
<b>TP</b>	Performance test
<b>TT</b>	C.C. with NABL traceability
<b>XA</b>	Accuracy CL 0.5 / CL 0.6 of FS
<b>XF</b>	SS tag plate, AISI 304 SS
<b>XG</b>	SS tag plate, AISI 316 SS
<b>XR</b>	Custom designed dial
<b>XT</b>	Dial tag marking

### Ordering Example : P201-04-XXX-B0-14N-ER-EB

#### RANGE V/s OVER RANGE

RANGE "bar"	OVER RANGE "bar"
0...1	4
0...1.6	6
0...2.5	10
0...4	16
0...6	25
0...10	40
0...16	48
0...25	75
0...40	80
0...60	120
0...100	200
0...160	320
0...250	500
0...400	800
0...600	1200

#### NOTES

- For other connections, please contact factory.
- Available in dry version only with accuracy CL 1.0 or above.
- Please specify the second scale required.
- Available in dry version only.
- C.C. = Calibration Certificate
- Refer Range V/s Overpressure table.