

## FEATURES

- Solid front with full blow back
- All stainless steel system
- External zero adjustment
- Dry / liquid filled

## APPLICATION

- Oil & Gas applications
- High pressure applications
- Corrosive & Hazardous environments

### Miniature Design



### STANDARD PARAMETERS

Accuracy	:	CL 1.6
Ambient temperature	:	-40...+65°C (without dampening liquid)
	:	-20...+65°C (with dampening liquid)
Service temperature	:	300°C max.
Pressure limits	:	Steady pressure up to FS value
	:	Fluctuating pressure up to 90% of FS value
	:	Short time 1.3 x FS value for range up to 100 bar
	:	Short time 1.15 x FS value for range above 100 bar
Weld joints	:	TIG argon arc welding

### MATERIAL OF CONSTRUCTION

Sensing element	:	Bourdon Tube ( $\leq 100$ bar : C - type , $> 100$ bar : Helical)
Case & Ring material	:	AISI 304 SS (Bayonet type)
Bourdon tube & Shank	:	AISI 316L SS (Shank welded directly to case)
Movement mechanism	:	AISI 304 SS
Dial	:	Aluminum, black graduation on white background
Pointer	:	Fixed, aluminum, black powder coated
Gaskets & filling plug	:	Neoprene / NBR
Window	:	Shatterproof safety glass
Blow off disc	:	AISI 304 SS
Diaphragm	:	NBR

### STANDARD SPECIFICATIONS

Dial size	:	DN63
Range	:	-1...1,000 bar
Mounting pattern	:	Direct, Bottom connection
Process connection	:	1/4" NPT (M) / 1/4" BSP (M)
Ingress protection	:	IP 65
Execution	:	Dry but fillable

### STANDARD SPECIFICATIONS : DAMPENING LIQUID FILLED, GLYCERIN

Window	:	Shatterproof safety glass
Dampening liquid	:	Glycerin 99.7% [Service temperature up to 65°C]

### TEMPERATURE EFFECT

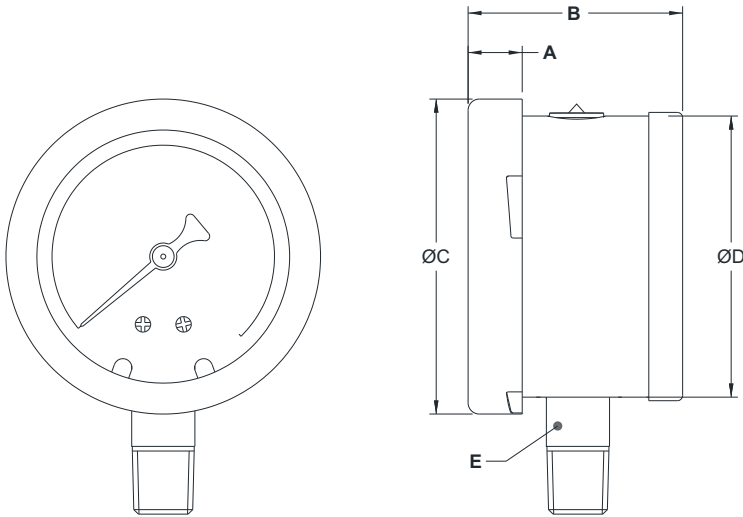
When temperature of the measuring system deviates from reference temperature (+20°C) max error  $\pm 0.4\%$  / 10K of true scale value.

## REFERENCE

EN 837-1

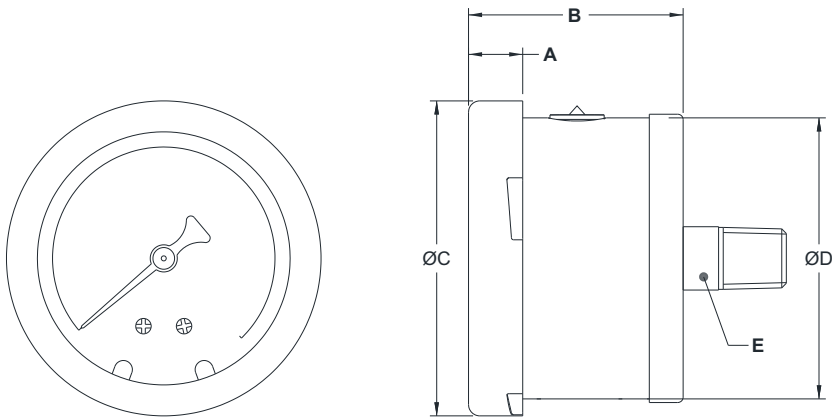
DIMENSIONAL DRAWING

Type B0



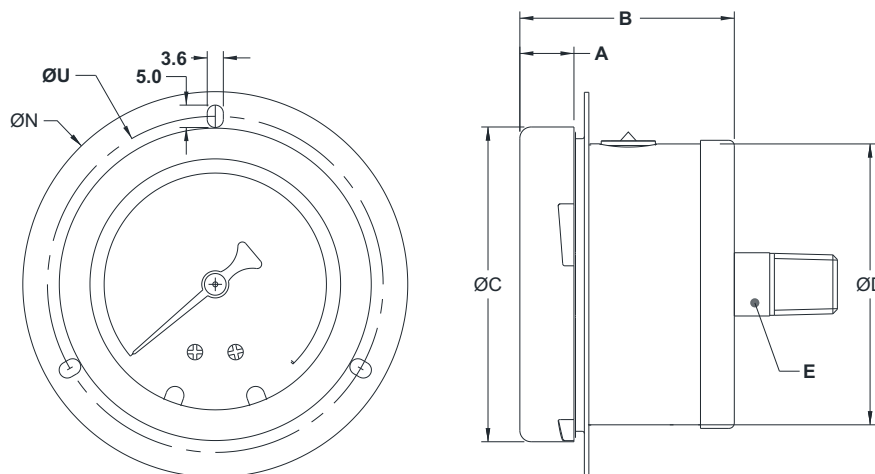
DN	A	B	ØC	ØD	E	Weight (grams)
63	12	46	69.7	62.2	SQ.14	320

Type R0



DN	A	B	ØC	ØD	E	Weight (grams)
63	12	46	69.7	62.2	SQ.14	320

Type R2



DN	A	B	ØC	ØD	E	ØN	ØU	Weight (grams)
63	12	46	69.7	62.5	SQ.14	86	75	240

All dimensions are in mm.

## ORDERING CODES

<b>1. DIAL SIZE</b>		<b>25</b>	<b>7. OTHER OPTIONS</b>		<b>XX</b>
<b>25</b>	63 mm / 2½"		<b>EA</b>	Dry	
<b>2. RANGE</b>		<b>XXX</b>	<b>EB</b>	Dry but fillable	
<b>XXX</b>	Refer "Range Table"		<b>EG</b>	Dampening liquid filled, glycerine	
<b>3. MOUNTING PATTERN</b>		<b>B0</b>	<b>EH</b>	Dampening liquid filled, silicon oil	
<b>B0</b>	Direct, Bottom connection		<b>7. OTHER OPTIONS</b>		
<b>R0</b>	Direct, Centre, Back connection		<b>BA</b>	Case & Ring in AISI 316 SS (B0)	
<b>R2</b>	Panel/Front flange mounting, Centre Back connection		<b>BG</b>	Case & Ring in AISI 316 SS (R0)	
<b>4. PROCESS CONNECTION</b>		<b>12N</b>	<b>BI</b>	Case & Ring in AISI 316 SS (R2)	
<b>12N</b>	¼" NPT (M)		<b>EN</b>	Dampening screw, AISI 316 SS	
<b>12B</b>	¼" BSP (M)	<b>ER</b>	<b>EZ</b>	Pointer stop on dial	
<b>5. INGRESS PROTECTION</b>			<b>GW</b>	Maximum Reading pointer <sup>3</sup>	
<b>ER</b>	IP 65		<b>P8</b>	Epoxy coating (Case & Ring)	
<b>ES</b>	IP 66		<b>RA</b>	Rubber parts, Viton	
<b>ET</b>	IP 67	<b>RW</b>	Vent plug, ON-OFF type		
			<b>TA</b>	5 - point calibration certificate	
			<b>TL</b>	Helium leak testing	
			<b>TM</b>	Material test certificate 2.2	
			<b>TO</b>	Certification for Oxygen service	
			<b>TP</b>	Performance test	
			<b>XF</b>	SS tag plate, AISI 304 SS	
			<b>XG</b>	SS tag plate, AISI 316 SS	
			<b>XR</b>	Custom designed dial	
			<b>XT</b>	Dial tag marking	

**Ordering Example : P203-25-XXX-B0-12N-ER-EB**

### NOTES

1. For other connections, please contact factory.
2. Available in dry version only.