

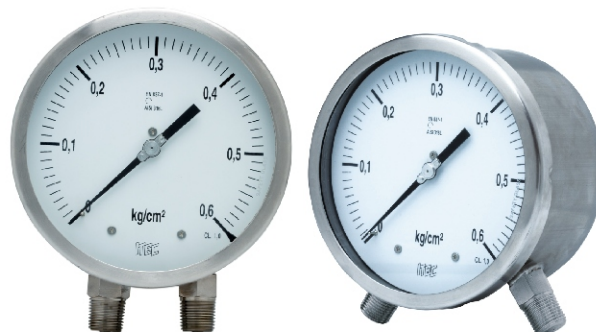
FEATURES

- All SS measuring system
- Static pressure 40 bar max.
- External Zero adjustment
- Electric contact version
- Suitable for direct valve mounting

APPLICATION

- Liquid & gaseous mediums
- Corrosive environments
- Oil & Gas applications
- Chemical & Petrochemical
- Food & Beverages
- Nuclear power plants

Bellow



STANDARD PARAMETERS

Accuracy	:	±1.0 of FS (range ≤ 1 bar), ±1.6 of FS (range ≥ 1 bar)
Ambient temperature	:	-40...+65°C (without dampening liquid)
	:	-20...+65°C (with dampening liquid)
Service temperature	:	100°C max.
Static pressure limits	:	6 bar up to 0.4 bar 25 bar up to 1 bar...2.5 bar 40 bar up to 4 bar...16 bar

MATERIAL OF CONSTRUCTION

Sensing element	:	Bellows
Case & Ring material	:	AISI 304 SS (Bayonet type)
Bellow	:	AISI 316L SS
Movement mechanism	:	AISI 304 SS
Dial	:	Aluminum, black graduation on white background
Pointer	:	Micro-zero adjustable, aluminum, black powder coated
Gaskets & filling plug	:	Neoprene / NBR
Window	:	Shatterproof Safety Glass

STANDARD SPECIFICATIONS

Dial size	:	DN150
Range	:	100 mbar...0...16 bar
Mounting pattern	:	Direct, Bottom connection
Process connection	:	½" NPT (M) x 2 Nos.
Ingress protection	:	IP 65
Execution	:	Dry

STANDARD SPECIFICATIONS : DAMPENING LIQUID FILLED, GLYCERIN

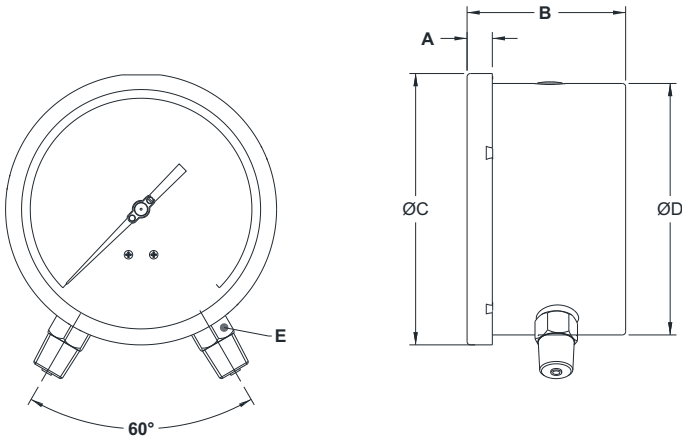
Accuracy	:	CL 2.5
Window	:	Plexi glass
Dampening liquid	:	Glycerin 99.7% [Service temperature up to 65°C]

STANDARD SPECIFICATIONS : ELECTRIC CONTACT VERSION

Accuracy	:	CL 2.5
Window	:	Poly carbonate dome
Switch	:	1NO; Make contact
Dampening liquid	:	Dielectric oil (Optional)
Electrical termination	:	4 pin PG13.5 connector

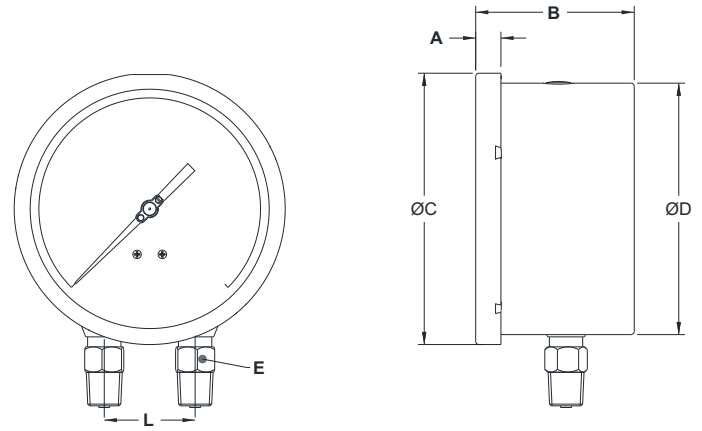
DIMENSIONAL DRAWING

Type B0



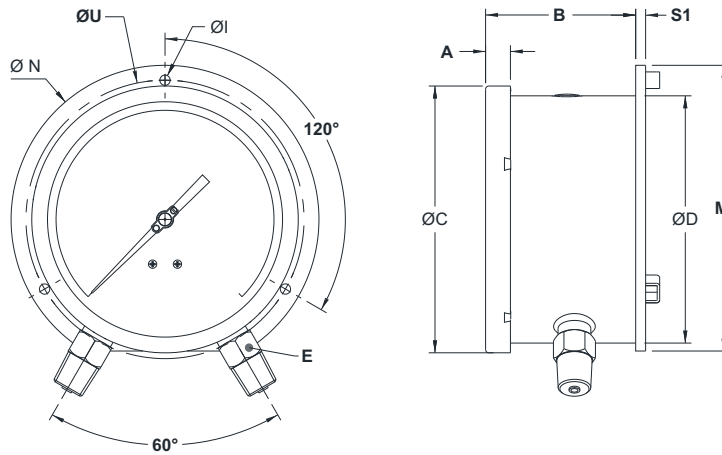
DN	A	B	ØC	ØD	E	Weight (grams)
150	15	94	161	149	A/F-22	1840

Type B0



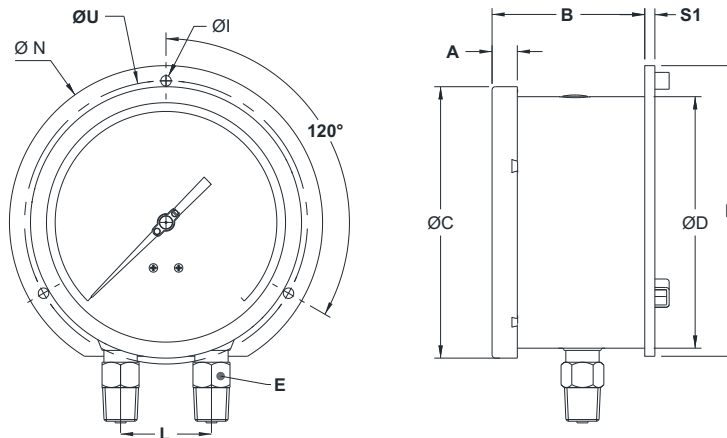
DN	A	B	ØC	ØD	E	Weight (grams)
150	15	94	161	149	A/F-22	1840

Type B1



DN	A	B	ØC	ØD	E	ØI	M	ØN	S1	ØU	Weight (grams)
150	15	98	161	149	A/F-22	6	172	186	6	168	2020

Type B1

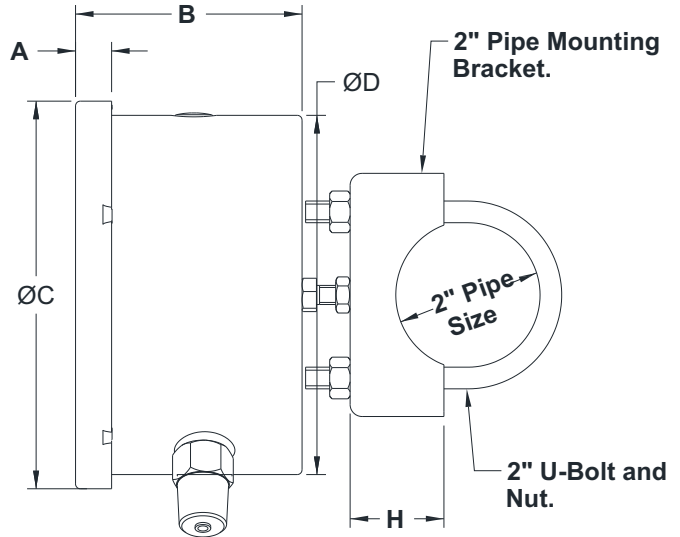
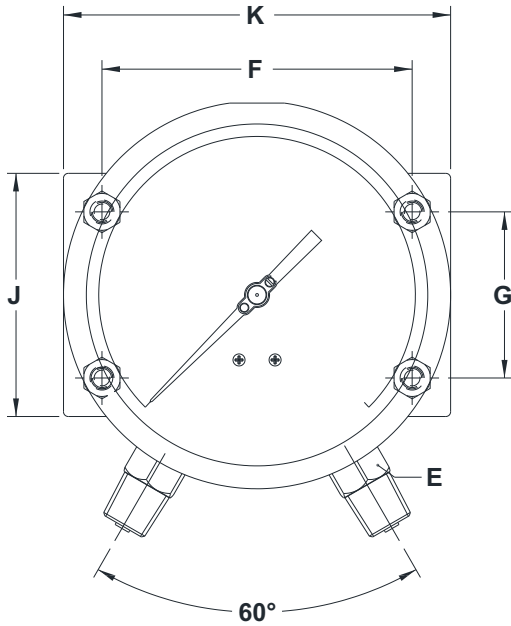


DN	A	B	ØC	ØD	E	ØI	L	M	ØN	S1	ØU	Weight (grams)
150	15	98	161	149	A/F-22	6	54	172	186	6	168	2020

All dimensions are in mm.

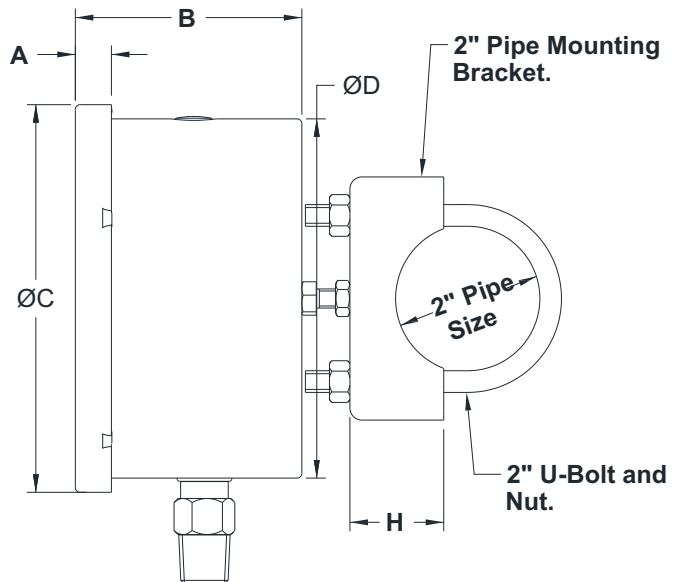
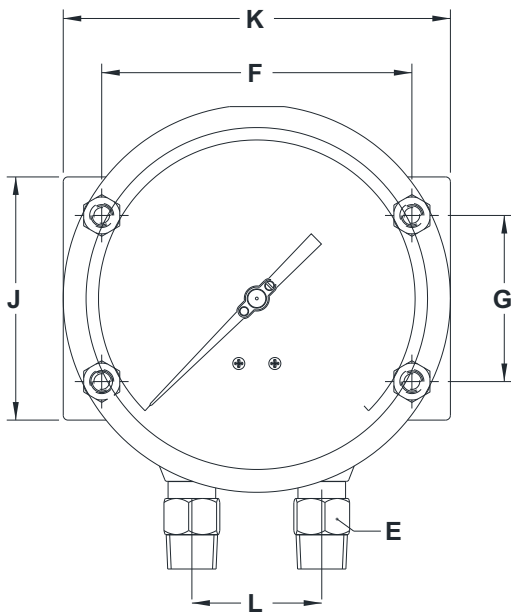
DIMENSIONAL DRAWING

Type B2



DN	A	B	ØC	ØD	E	F	G	H	J	K	Weight (grams)
150	15	94	161	149	A/F-22	129	69	39	101	161	2914

Type B2



DN	A	B	ØC	ØD	E	F	G	H	J	K	L	Weight (grams)
150	15	94	161	149	A/F-22	129	69	39	101	161	54	2914

All dimensions are in mm.

ORDERING CODES

1. DIAL SIZE

06 150 mm / 6"

06

2. RANGE

XXX Refer "Range Table"

XXX

3. MOUNTING PATTERN

- B0** Direct, Bottom connection
- B1** Wall/Surface/Projection mounting, Bottom connection
- B2** 2" Pipe/Yoke mounting, Bottom connection

B0

4. PROCESS CONNECTION

- 14B** 1/2" BSP (M) x 2 Nos.
- 14M** M20 x 1.5 mm (M) x 2 Nos.
- 14N** 1/2" NPT (M) x 2 Nos.

14N

5. INGRESS PROTECTION

ER IP 65

ER

6. EXECUTION

- EA** Dry
- EG** Dampening liquid filled, glycerine
- EH** Dampening liquid filled, silicon oil³
- EK** Dampening liquid, dielectric oil³

EA

7. CHAMBER TYPE

- 1** Pattern 1 (Angular : 60° apart)
- 2** Pattern 2 (Straight : C-C = 54mm)

1

8. SWITCH CATEGORY

- RR** Economic contacts
- RS** Precision contacts
- RT** ATEX / CE approved contacts

XX

9. ELECTRIC CONTACT

- CS1** Break contact (1NC)
- CS2** Make contact (1NO)
- CS3** 2 x Break contact (2NC)
- CS4** 2 x Make contact (2NO)
- CS5** 1 Break + 1 Make (1NC+1NO)
- CS6** 1 Make + 1 Break (1NO+1NC)
- CD1** Break contact (1NC)
- CD2** Make contact (1NO)
- CD3** 2 x Break contact (2NC)
- CD4** 2 x Make contact (2NO)
- CD5** 1 Break + 1 Make (1NC+1NO)
- CD6** 1 Make + 1 Break (1NO+1NC)
- CD7** SPDT
- CD8** DPDT
- CI1** Break contact (1NC)
- CI2** Make contact (1NO)
- CI3** 2 x Break contact (2NC)
- CI4** 2 x Make contact (2NO)
- CI5** 1 Break + 1 Make (1NC+1NO)
- CI6** 1 Make + 1 Break (1NO+1NC)
- CI9** Booster relay for current up to 5A

XX

10. OTHER OPTIONS

- BA** Case & Ring in AISI 316 SS (B0)
- BB** Case & Ring in AISI 316 SS (B1)
- BC** Case & Ring in AISI 316 SS (B2)
- GL** AISI 316 SS movement
- G6** 6 pin, M20 x 1.5 mm connector
- RA** Rubber parts, Viton
- RW** Vent plug, ON-OFF type
- TA** 5 - point calibration certificate
- TC** Material test certificate 3.1
- TM** Material test certificate 2.2
- TN** Tested to NACE standards
- XF** SS tag plate, AISI 304 SS
- XG** SS tag plate, AISI 316 SS
- XR** Custom designed dial
- XT** Dial tag marking

XX

Ordering Example : P303-06-XXX-B0-14N-ER-EA-1

NOTES

1. For other connections, please contact factory.
2. Electric contacts are available from range 0...1 bar
3. Rubber parts shall be in Viton.