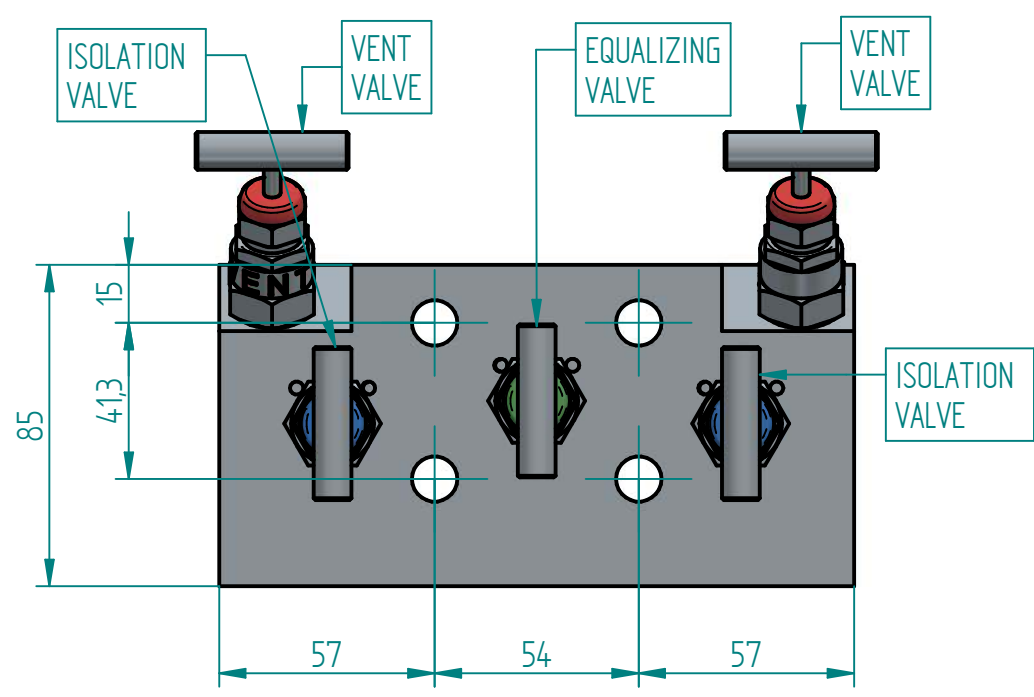
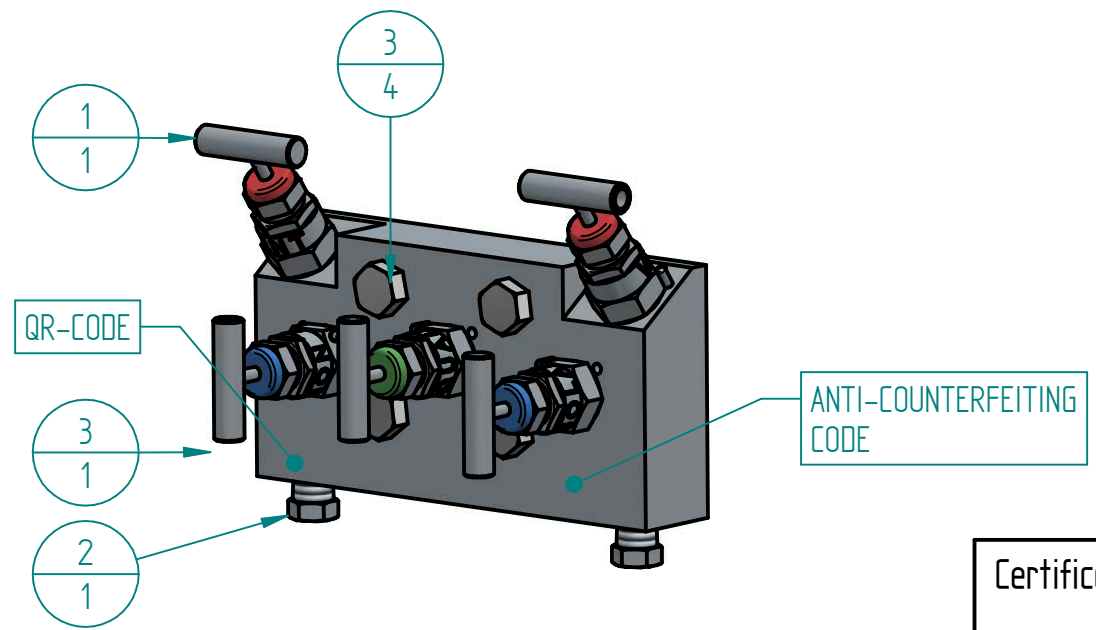


Ø1/4"NPT-F  
n°2 vent connection

Ø1/2"NPT-F  
n°2 process connection



PARTS LIST				
Pos	Quantity	Description	Material	Model
1	1	5 valves manifold direct mounting	AISI 316/L	5D10
2	2	Plug	AISI 316	-
3*	4	Bolt	-	to be defined in case of order



Certification and approvals:

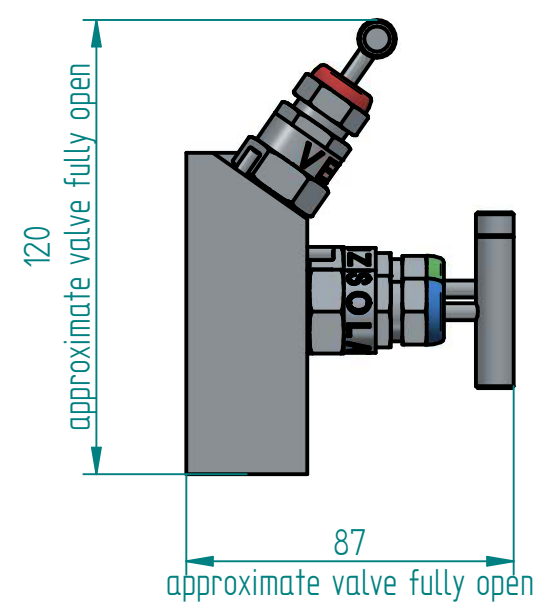
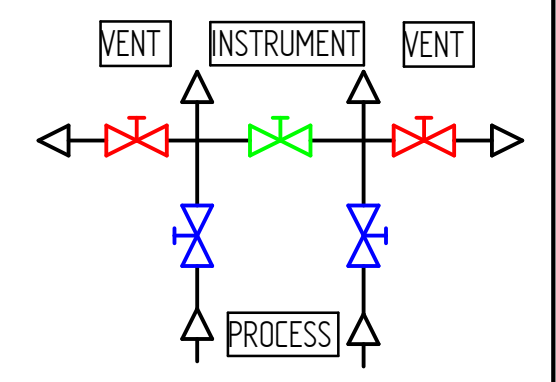
- PED
- ATEX
- EAC

Details stamped on manifold

Technical features:

- MODEL: 5D10A01A0107D01A0
- MATERIAL: AISI 316/L
- PRESSURE RATING: 6000PSI
- HEAT NUMBER

Flow diagram:



0	17/01/2019	FIRST ISSUE	M.Maganza	M.Beretta	A.Bonometti
REV.	DATE	DESCRIPTION	PREPARED	CHECKED	APPROVED



20032 Cormano MI  
Via Giotto,7 - ITALY  
Phone: +39 02 66307 514 / 430  
E-mail: info@bulksrl.it / Website: www.bulksrl.it

DESCRIPTION 5 VALVES MANIFOLD DIRECT MOUNTING  
DIRECT/FEMALE THREAD  
DEGREASED FOR OXYGEN SERVICE

DWG N°	A91	P/N	5D10A01A0107D01A0 (5D10L-Z)
MATERIAL	AISI 316/L	SIZE	A3

THIS DOCUMENT IS PROPERTY OF BULK S.R.L. REPRODUCTION AND DIVULGATION ARE FORBIDDEN WITHOUT WRITTEN PERMISSION - UNLESS OTHERWISE INDICATED ALL DIMENSIONS ARE IN mm