

Pressure

Electronic Dual Differential Pressure Switch

BDS3000

Features

- ▶ Measuring range: differential: 0 - 500 psid
- ▶ Enclosure Rating: Type 4X (IP65) / Type 6 (IP67)
- ▶ Two switch points
- ▶ 0.50% accuracy
- ▶ Analog output 4 - 20 mA or 0 - 10 V
- ▶ Superior EMI protection
- ▶ Display & electronic connection: rotatable by 320°
- ▶ Simple navigation menu
- ▶ IO-Link digital communication interface
- ▶ Hydraulic and pneumatic compatible

Applications

- ▶ Filtration
- ▶ Machine tool industry
- ▶ Factory Automation
- ▶ Lubrication monitoring
- ▶ Pumps and compressors



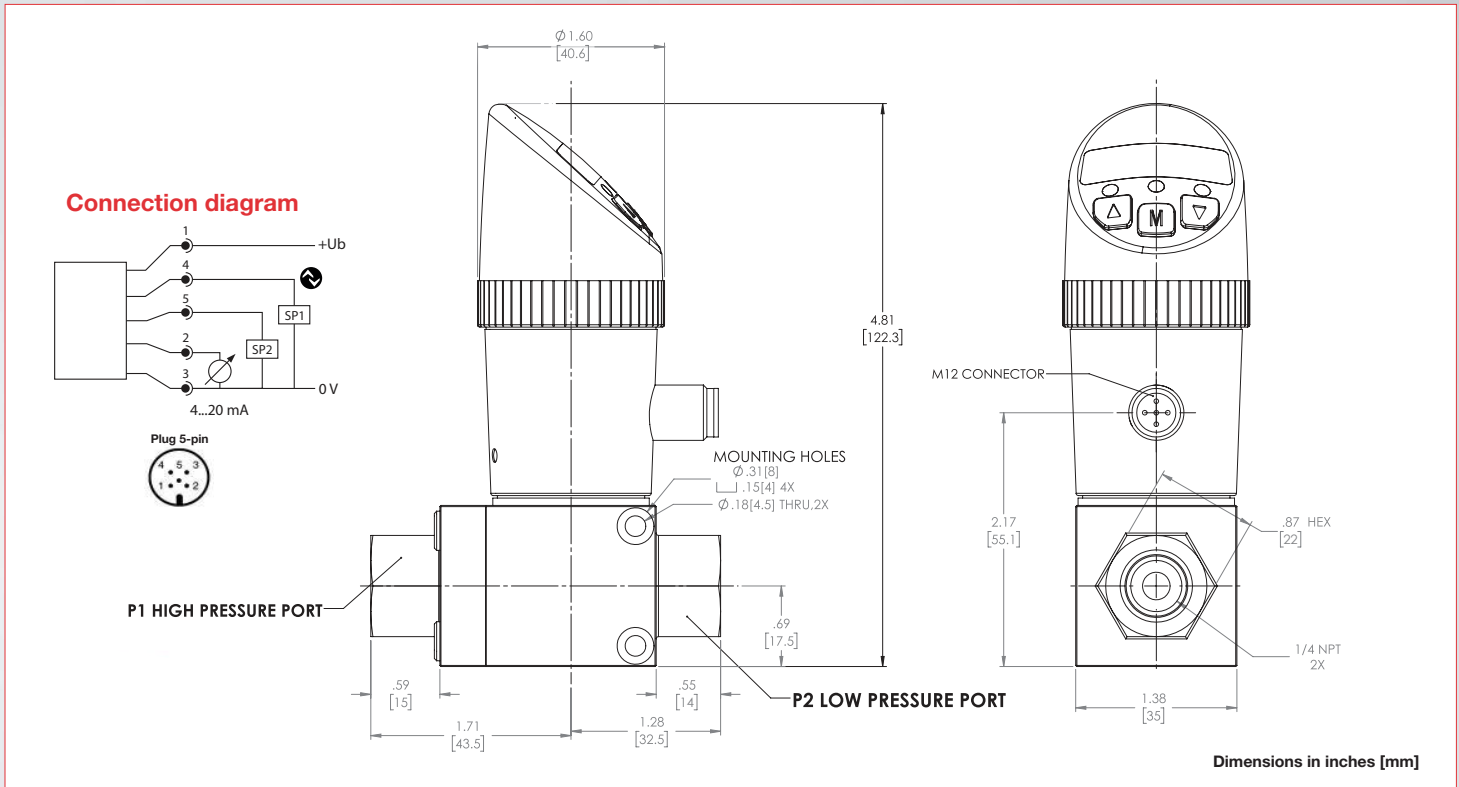
General Specifications

Sensor element:	Piezoresistive sensor	Analog output:				
Materials:		Current output:	4-20 mA			
Wetted parts:	Stainless steel fittings 316L Stainless steel sensors	Scanning rate:	2 ms			
Enclosure:	304 Stainless steel, PBT	Voltage output:	0 to 10 V DC			
Seals:	FKM fluoroelastomer	Rating:	max. 10 mA			
Operating elements:	3 easy-response push-buttons	Adjustment range:	25% to 100% f. s.			
Enclosure rating:	Type 4X (IP65) / Type 6 (IP67)	Transistor switching outputs:				
Protection class:	III	Switching function:	Normally open / normally closed, standard / window mode and diagnosis function adjustable			
Electrical connection:	Plug M12 x 1, 5-pin	Switching output:	PNP / NPN (field selectable on IO-Link units)			
Process connection:	1/4" NPT female (low and high sides)	Adjustment range for switching point and hysteresis:	0% to 125% f. s.			
Dimensions:	3.00 x 1.60 x 4.81 inches	Switching frequency:	Max. 100 Hz			
Weight:	Approx. 1.5 lb	Load:	Max. 500 mA (250 mA IO-Link units), short- circuit-proof			
A/D-Converter:		Delay:	0.0 s to 50.0 s adjustable			
Resolution:	12 bit (4,096 steps per measure span)	Status display(s):	LED(s) red			
Scanning rate:	1000/s	IO-Link Communication Interface				
Linearity error:	< ±0.5 % f. s. at +25 °C	Transmission type:	COM2 (38.4 kBaud)			
Temperature influence:	TC zero < ±0.2 % FSO / 10K TC span < ±0.3 % FSO / 10K	IO-Link revision:	1.1			
Compensation range:	32°F to 122°F (0°C to +50°C)	SDCI standard:	IEC 61131-9			
Repeatability:	±0.1% f. s.	Profiles:	Smart Sensor, Process Data Variable, Device Identification, Device Diagnosis			
Temperature range:		SIO modules:	Yes			
Media:	-13°F to 212°F (-25°C to +100°C)	Required master port type:	A			
Electronics:	14°F to 158°F (-10°C to +70°C)	SIO output:	1 analog / 2 binary (switch points) [see product configurator]			
Storage:	-22°F to 176°F (-30°C to +80°C)	Min. process cycle time [ms]:	2.5			
Power supply¹:	15 to 32 V DC, reversed polarity protected (SELV, PELV), Class 2	Device ID:	0x071...			
Power consumption:	Approx. 50 mA (without load)	Pressure Ranges				
Digital display:	4-digit 14-segment LED red display, digit height .35 inches (9 mm)	Pressure Range Code	Differential Pressure	Proof Pressure	Proof Pressure	Common Pressure
Display rate:	20/s		P1>P2 (PSID)	P1>P2 (PSID)	P2>P1 (PSID)	P1=P2 (PSI)
Error display:	LED RED and alphanumeric display	0015P	0-15	30	15	2500
		0100P	0-100	200	100	2500
		0500P	0-500	1000	150	2500

Electronic Dual Differential Pressure Switch

BDS3000

Technical Drawings



Product Configurator

Example **BDS3** **4** **F** **V** **M** **0500P**

* Highlighted options represent those most frequently used. Select these common options for improved availability. (5/21)

Series:

BDS3 Series BDS3000, electronic dual differential pressure switch

Output:

4 Dual switch point plus 4-20mA (0-10V field selectable)

8 IO-Link / Dual switch point plus 4-20mA (0-10 field selectable)

Process Connections:

F 1/4" NPT female

Electrical Connection:

M¹ M12

Sealing:

V FKM fluoroelastomer

Pressure Ranges²

0015P	0 - 15 psid (differential)
0100P	0 - 100 psid (differential)
0500P	0 - 500 psid (differential)

Accessories

Order Number	Description
239546-1M-R-S ³	5 Pin M12 Female Right Angle Plug Molded Cable, 3.28 Feet (1 Meter), Shielded
239546-1M-S ³	5 Pin M12, Female Straight Plug Molded Cable, 3.28 Feet (1 Meter), Shielded
239548-S	5 Pin M12 Female Straight Connector
239548-R	5 Pin M12 Female Right Angle Connector

Note:

- Mating connector not included with unit; mating connectors are available and can be ordered as an accessory.
- Contact factory for ranges not listed including BAR.
- See Cable Connectors & Accessories for more options.